

750 mA High Voltage Rectifier Assemblies

Rectifier Reverse Voltage 5000 to 16000V

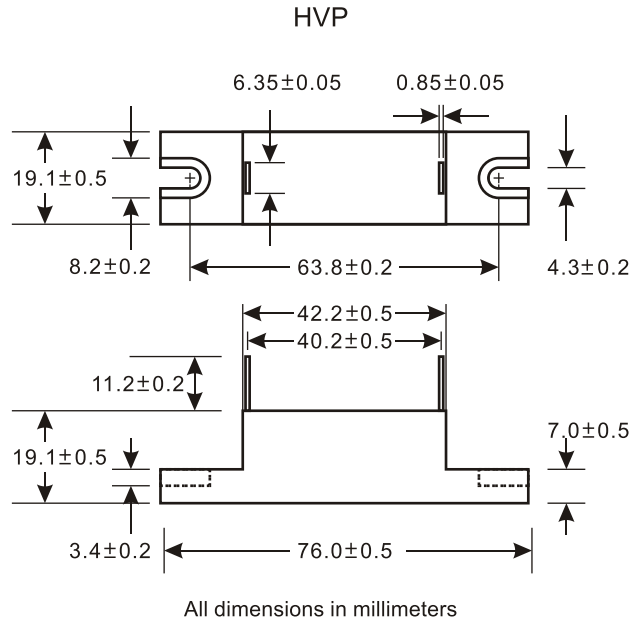


Features

- Isolated case
- Surge overload rating to 50A peak
- Low Forward Voltage Drop
- Typical reverse leakage current less than 1 μ A
- Plastic material has UL flammability classification 94V-0

Mechanical Data

Case: Molded plastic
 Terminals: Axial lead with terminals solderable per MIL-STD-202, Method 208
 Polarity: Cathode band
 Mounting Position: Any



Maximum Ratings & Thermal Characteristics

Rating at 25°C ambient temperature unless otherwise specified, Resistive or Inductive load, 60 Hz.
 For Capacitive load derate current by 20%.

Parameter	Symbol	HVP5	HVP8	HVP10	HVP12	HVP14	HVP15	HVP16	unit
Maximum repetitive peak reverse voltage	VRRM	5000	8000	10000	12000	14000	15000	16000	V
Maximum RMS bridge input voltage	VRMS	3500	5600	7000	8400	9800	10500	11200	V
Maximum DC blocking voltage	VDC	5000	8000	10000	12000	14000	15000	16000	V
Maximum average forward rectified output current at TA=55°C	IF(AV)	750							mA
Peak forward surge current single sine-wave superimposed on rated load (JEDEC Method)	IFSM	50.0							A
Operating junction and storage temperature range	TJ, TSTG	-20 to + 135							°C

Electrical Characteristics

Rating at 25°C ambient temperature unless otherwise specified. Resistive or Inductive load, 60Hz.
 For Capacitive load derate by 20 %.

Parameter	Symbol	HVP5	HVP8	HVP10	HVP12	HVP14	HVP15	HVP16	Unit
Maximum instantaneous forward voltage drop at IF =0.75A DC	VF	10.0		14.0		16.0			V
Maximum DC reverse current at rated TA =25°C DC blocking voltage per element	IR	5.0							μ A

Rating and Characteristic Curves ($T_A=25^\circ\text{C}$ Unless otherwise noted)

HVP5 thru HVP16

Fig. 1 Derating Curve for Output Rectified Current

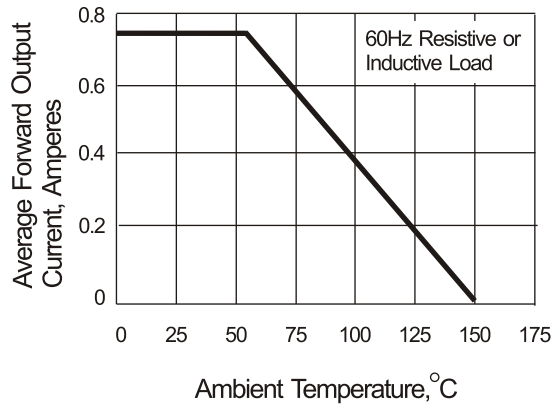


Fig. 2 Peak Forward Surge Current

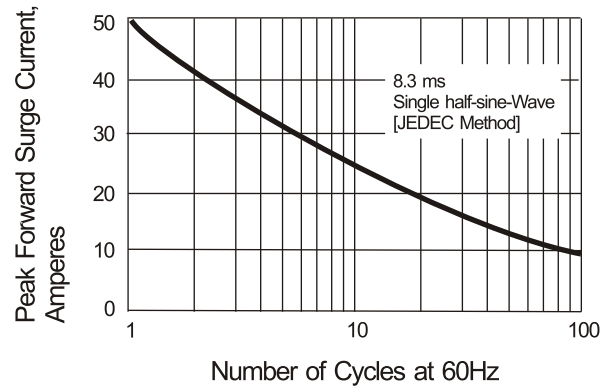


Fig. 3 Typical Instantaneous Forward Characteristics

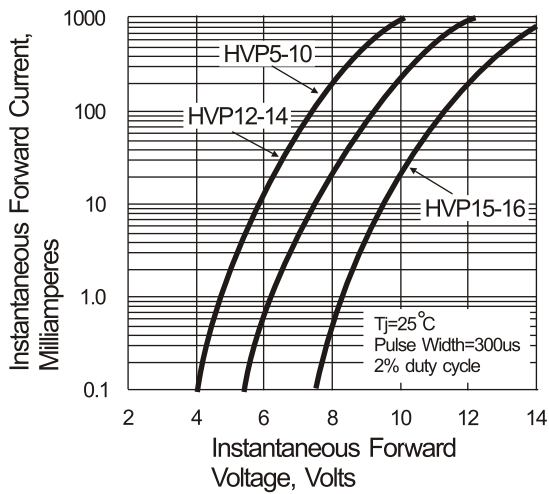


Fig. 4 Typical Reverse Characteristics

