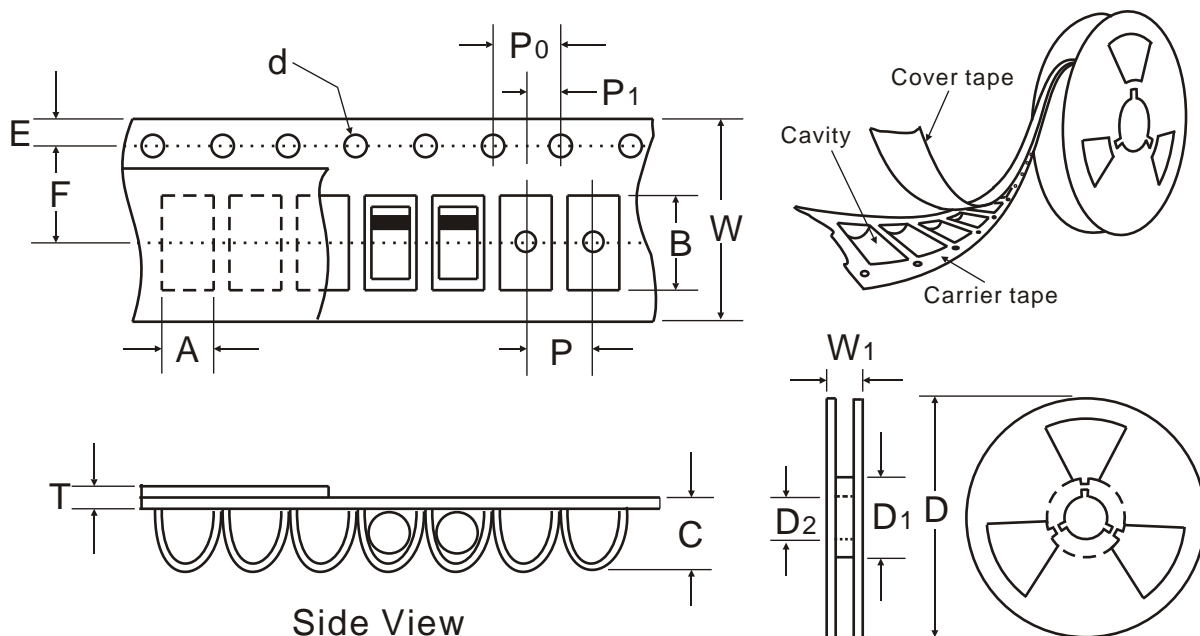


## REEL TAPING FOR ROUND MELF DEVICES



ITEM	SYMBOL	SPECIFICATION, mm(inch)		
		SM-1(DO-213AB)	DL-41	DL-35/SM-2(DO-213AA)
Carrier width	A	3.2max.(0.126max.)	3.0max.(0.118max.)	2.0max.(0.079max.)
Carrier length	B	7.8max.(0.307max.)	5.3±0.1(0.309±0.004)	3.7max.(0.146max.)
Carrier depth	C	4.5max.(0.177max.)	2.7max.(0.106max.)	1.8max.(0.071max.)
Sprocket hole	d	1.5±0.1(0.059±0.004)	1.5±0.1(0.059±0.004)	1.5±0.1(0.059±0.004)
Reel outer diameter	D	330.0(13)	330.0(13)	178.0±2.0(7.0±0.079)
Reel inner diameter	D1	50min.(1.969min.)	50min.(1.969min.)	50min.(1.969min.)
Feed hole diameter	D2	13.0±0.5(0.512±0.020)	13.0±0.5(0.512±0.020)	13.0±0.5(0.512±0.020)
Sprocket hole position	E	1.75±0.1(0.069±0.004)	1.75±0.1(0.069±0.004)	1.75±0.1(0.069±0.004)
Punch hole position	F	5.5±0.1(0.217±0.002)	5.5±0.1(0.217±0.002)	5.5±0.1(0.217±0.002)
Punch hole pitch	P	4.0±0.1(0.157±0.004)	4.0±0.1(0.157±0.004)	4.0±0.1(0.157±0.004)
Sprocket hole pitch	P0	4.0±0.1(0.157±0.004)	4.0±0.1(0.157±0.004)	4.0±0.1(0.157±0.004)
Embossment center	P1	2.0±0.05(0.079±0.002)	2.0±0.05(0.079±0.002)	2.0±0.05(0.079±0.002)
Overall tape thickness	T	1.1max.(0.043max.)	1.1max.(0.043max.)	1.1max.(0.043max.)
Tape width	W	12.0±0.3(0.472±0.012)	12.0±0.3(0.472±0.012)	8.0±0.3(0.315±0.012)
Reel width	W1	18.4max.(0.724max.)	20.0max.(0.787max.)	14.9max.(0.587max.)
Reel packing quantity		5000 pcs	5000 pcs	5000 pcs

### Notes:

1. The clearance between the component and the cavity must be within 0.05 min. to 0.5 max. for 8mm tape and 0.05 min. to 0.65 max. for 12mm tape. In addition, the component cannot rotate more than 20° within the determined cavity.
2. There shall be leader of 230mm minimum which may consist of carrier or cover tape followed by a minimum of 160 mm of carrier tape sealed with cover tape.
3. Devices are packed in accordance with EIA standard RS-481-A and specifications given above. Available for SM-1(MELF, Plastic case), SM-2(MiniMELF, Plastic case), DL-41(MELF, glass case) and DL-35(MiniMELF, glass case) package.