

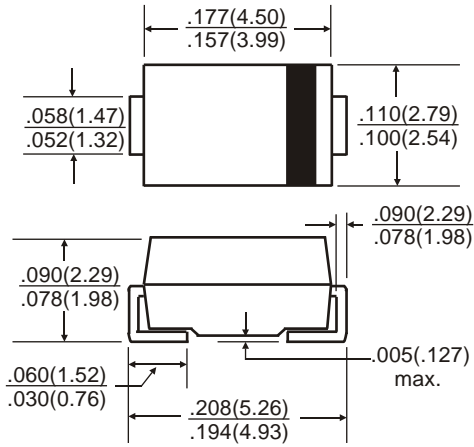


Package Outline Dimensions

SEP ELECTRONIC CORP.[®]

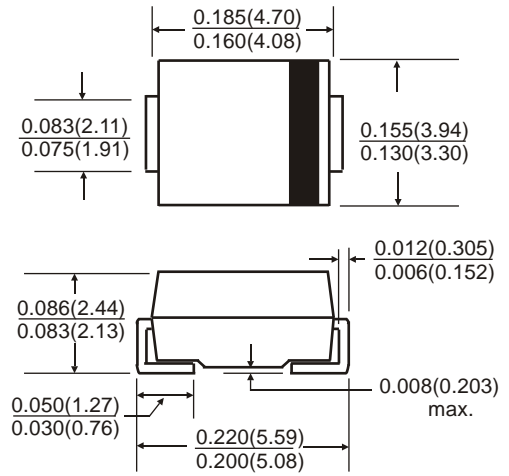
Outline Drawing

SMA / DO-214AC



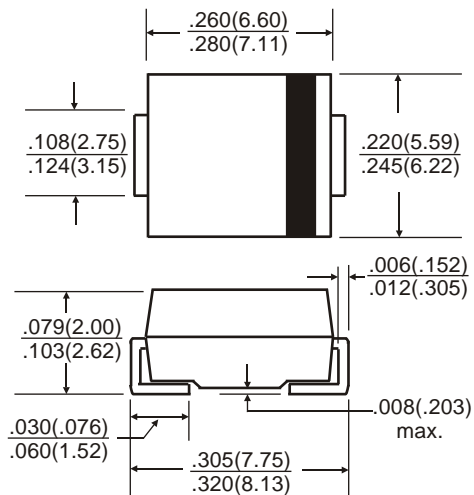
Dimensions in inches and (millimeters)

SMB / DO-214AA



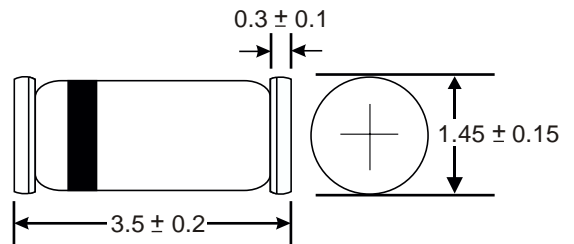
Dimensions in inches and (millimeters)

SMC / DO-214AB



Dimensions in inches and (millimeters)

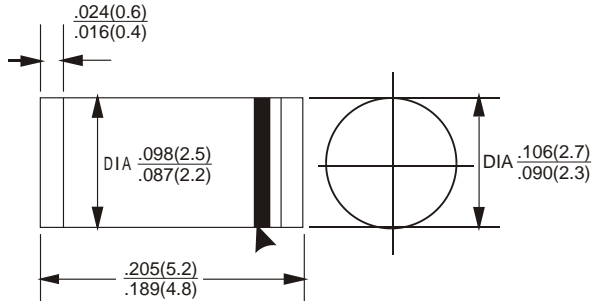
MINI-MELF



Dimensions in millimeters

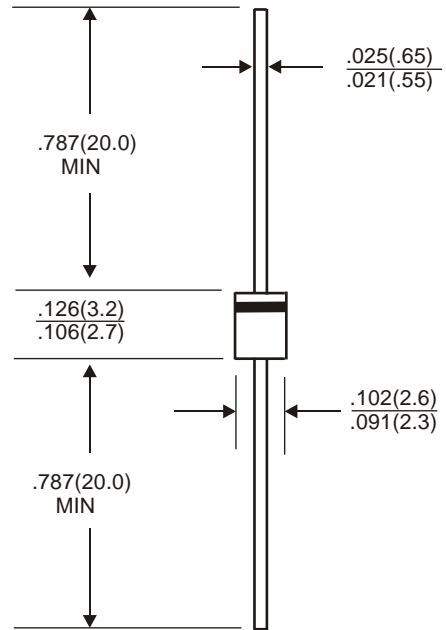
Outline Drawing

MELF



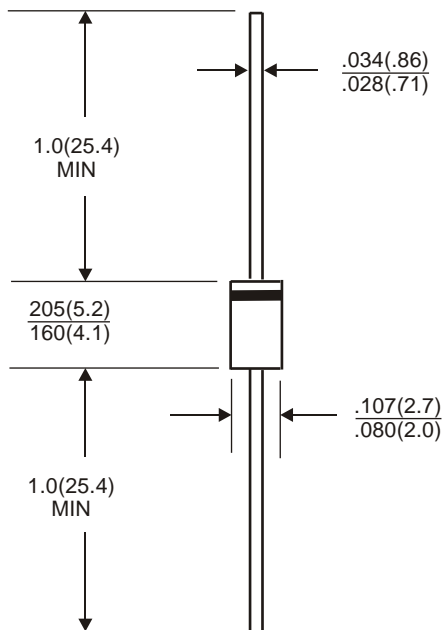
Dimensions in inches and (millimeters)

R-1



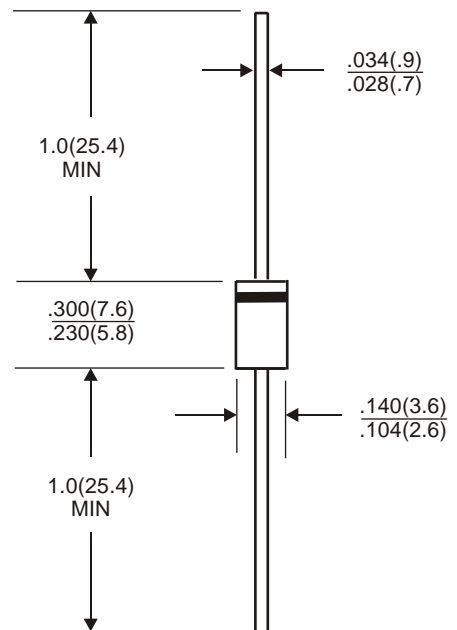
Dimensions in inches and (millimeters)

DO-41



Dimensions in inches and (millimeters)

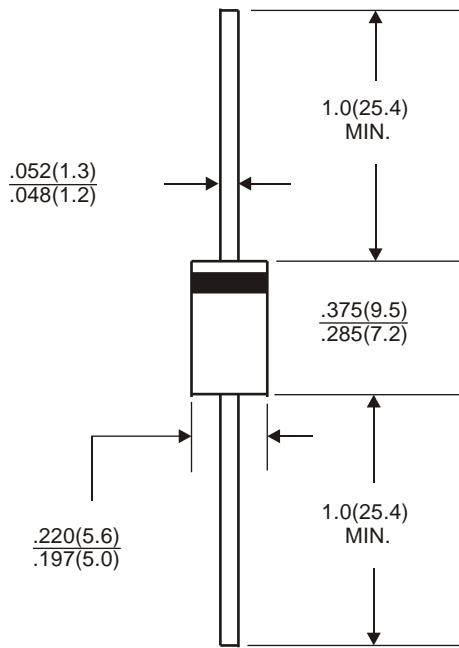
DO-15



Dimensions in inches and (millimeters)

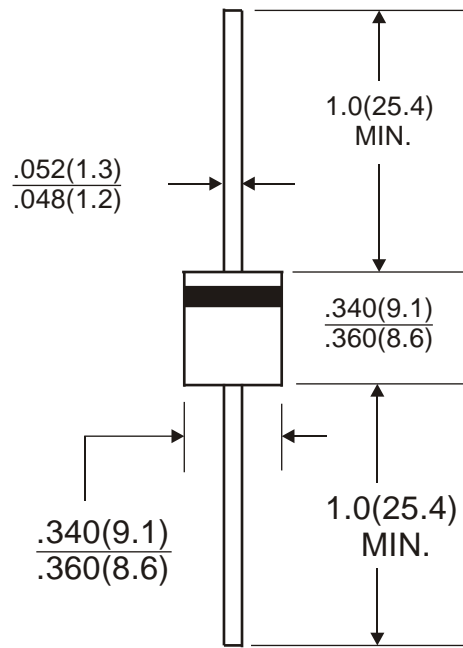
Outline Drawing

DO-27 / DO-201AD



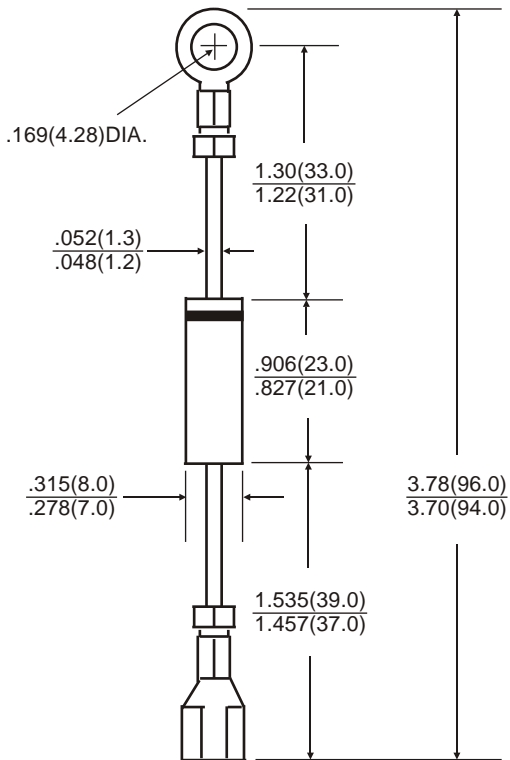
Dimensions in inches and (millimeters)

R-6



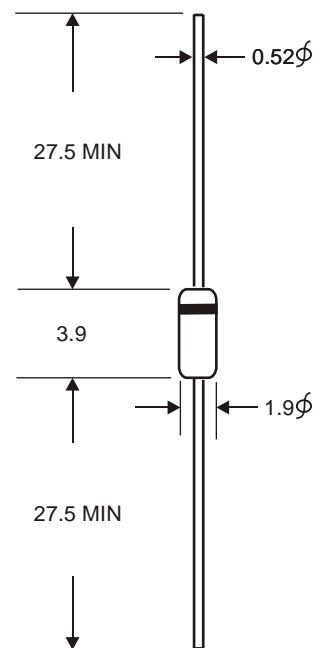
Dimensions in inches and (millimeters)

HVM



Dimensions in inches and (millimeters)

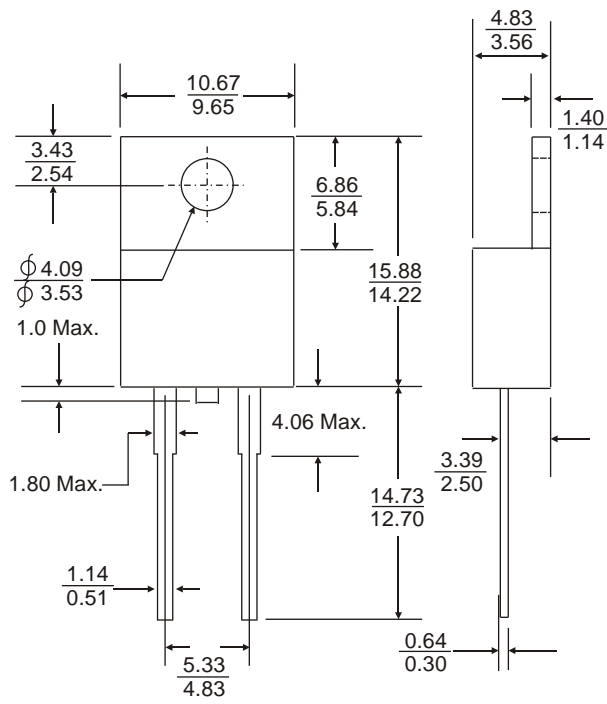
DO-35



Dimensions in inches and (millimeters)

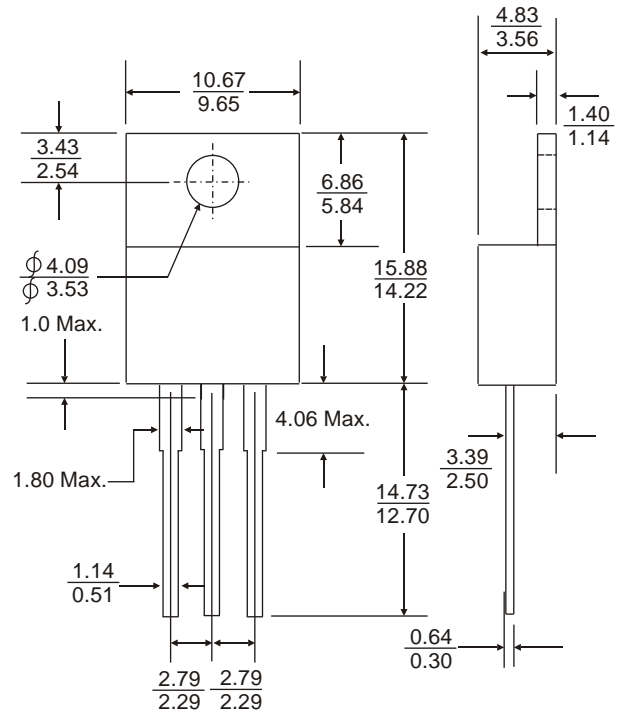
Outline Drawing

TO-220A



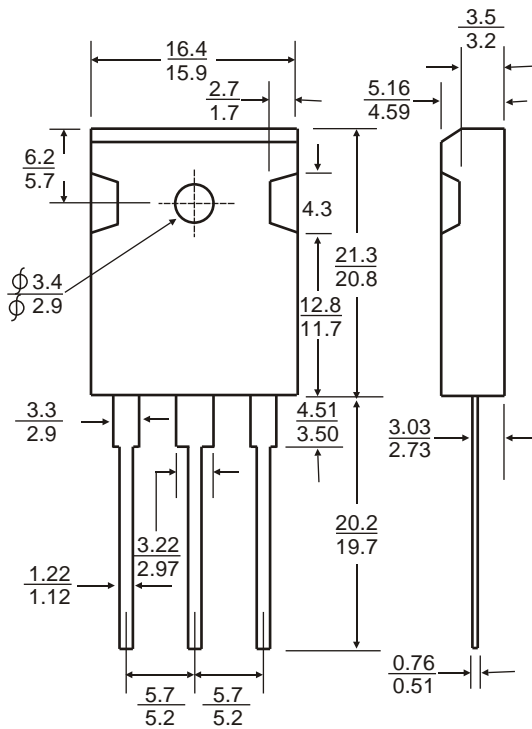
Dimensions in millimeters

TO-220



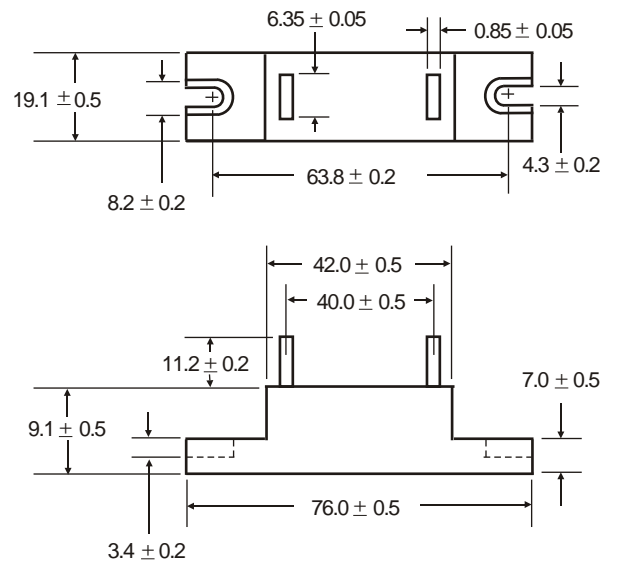
Dimensions in millimeters

TO-3P



Dimensions in millimeters

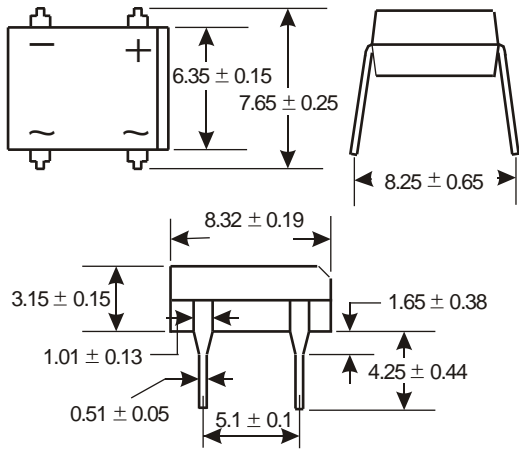
HVP



Dimensions in (millimeters)

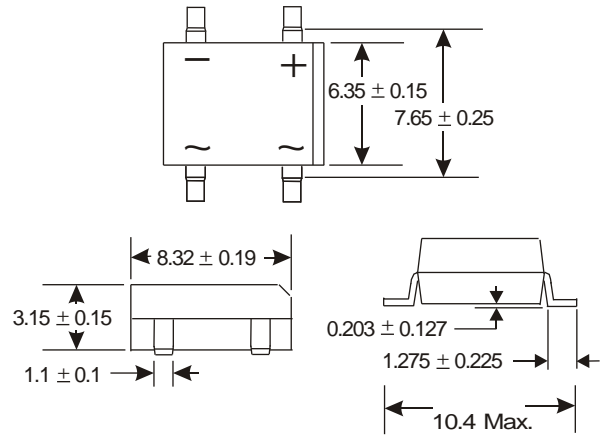
Outline Drawing

DB



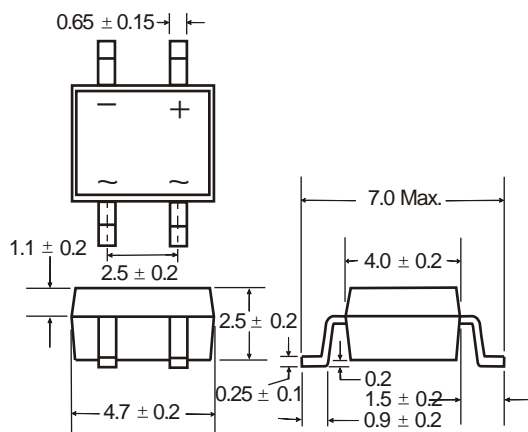
Dimensions in millimeters

DB-S



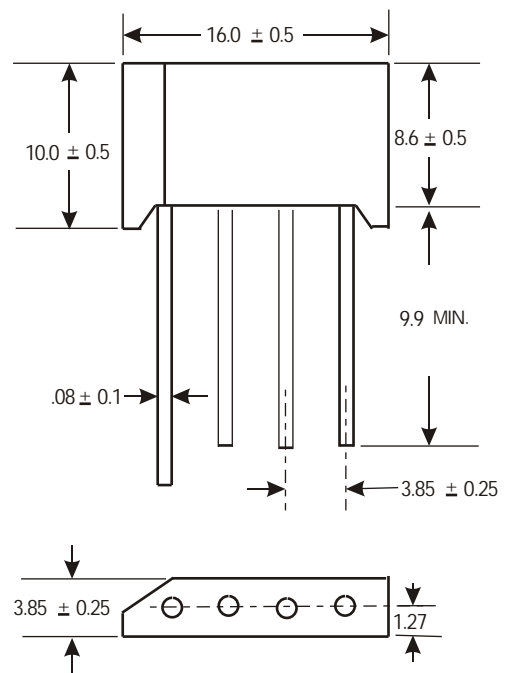
Dimensions in millimeters

MINI-DIP



Dimensions in millimeters

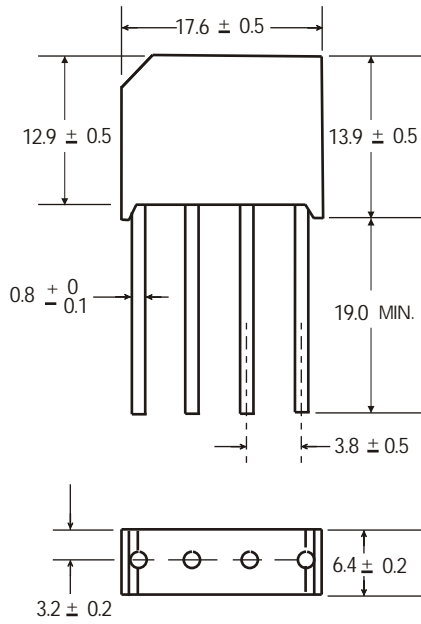
RS1



Dimensions in millimeters

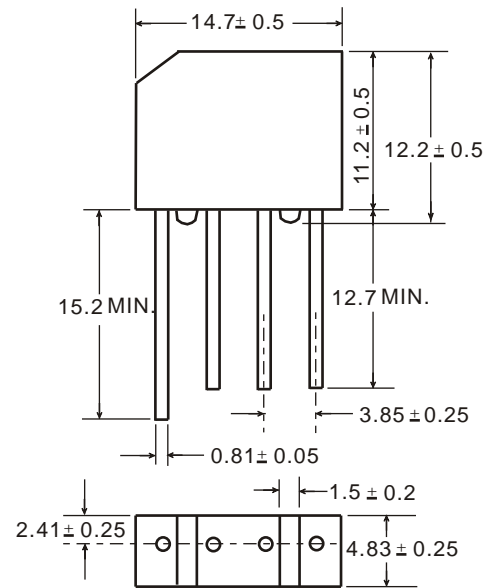
Outline Drawing

RS2



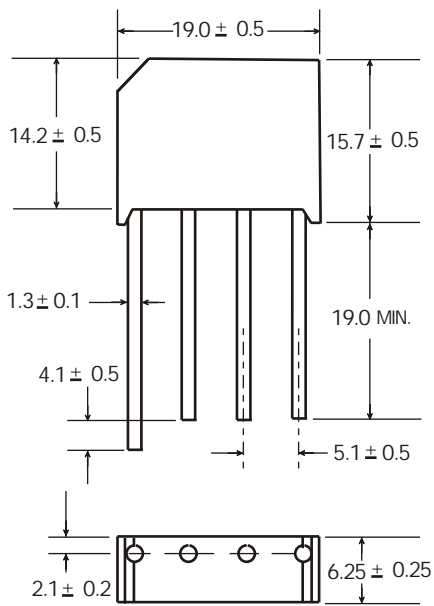
Dimensions in millimeters

KBP



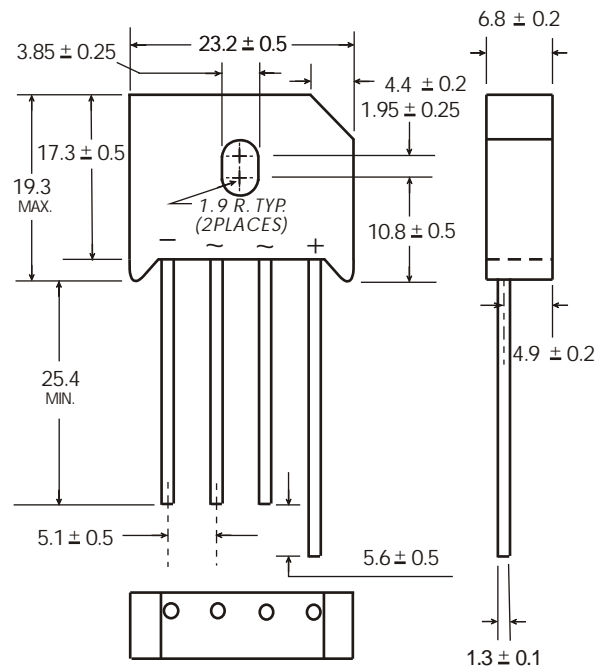
Dimensions in millimeters

KBL



Dimensions in millimeters

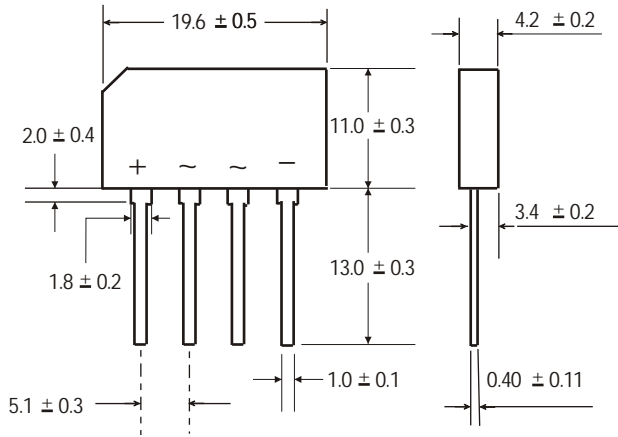
KBU



Dimensions in millimeters

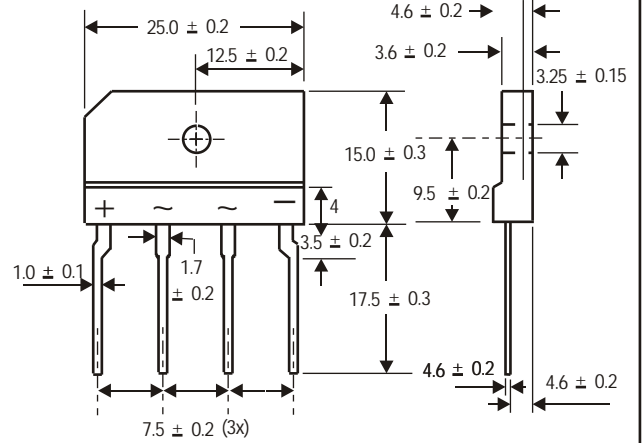
Outline Drawing

KBJ2



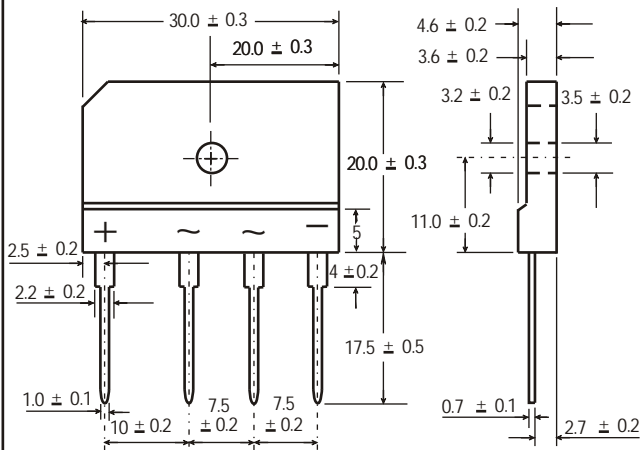
Dimensions in millimeters

KBJ4



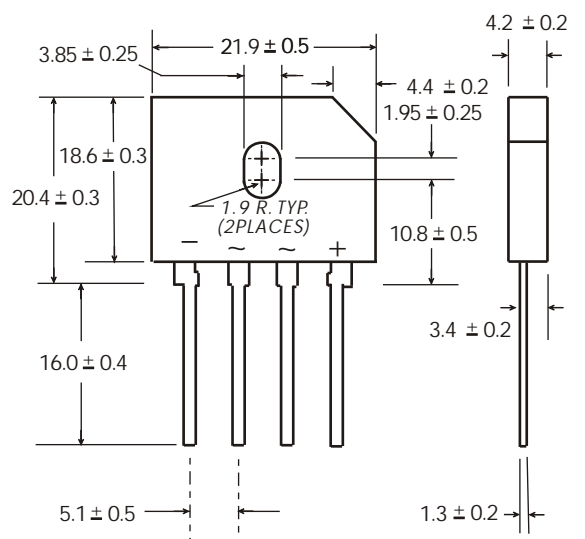
Dimensions in millimeters

KBJ6



Dimensions in millimeters

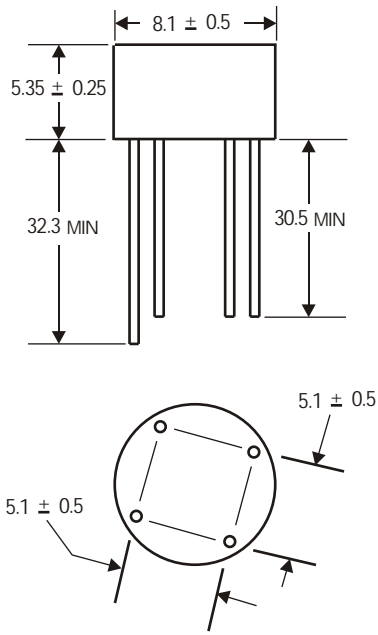
GBU



Dimensions in millimeters

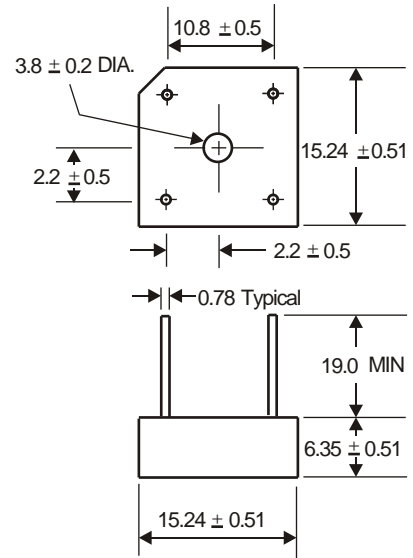
Outline Drawing

WOB



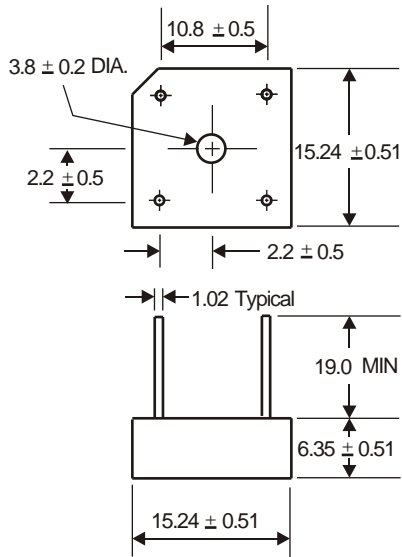
Dimensions in millimeters

KBPC1 / BR3



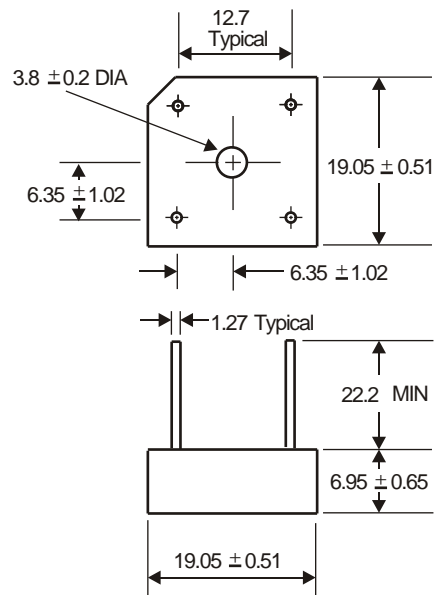
Dimensions in millimeters

KBPC6 / BR6



Dimensions in millimeters

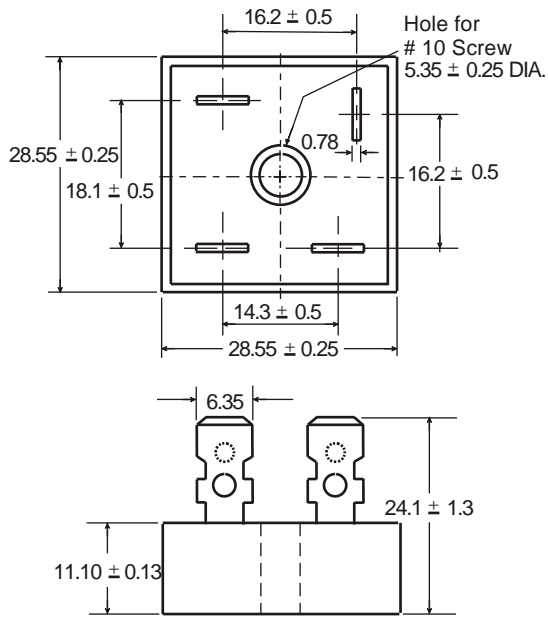
KBPC8 / BR8



Dimensions in millimeters

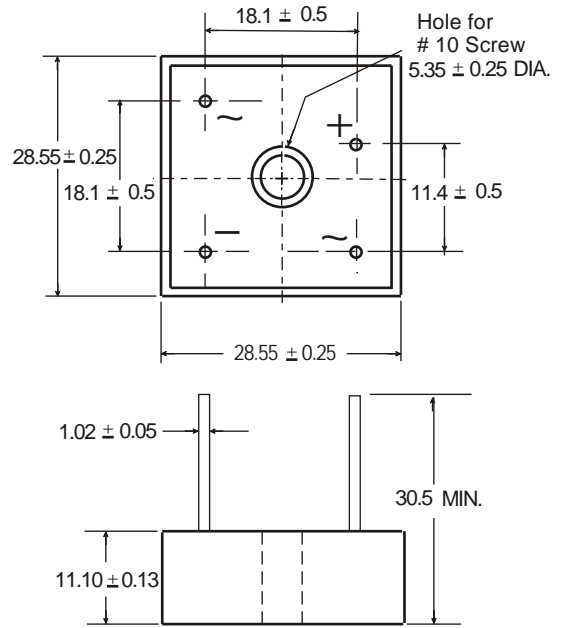
Outline Drawing

KBPC



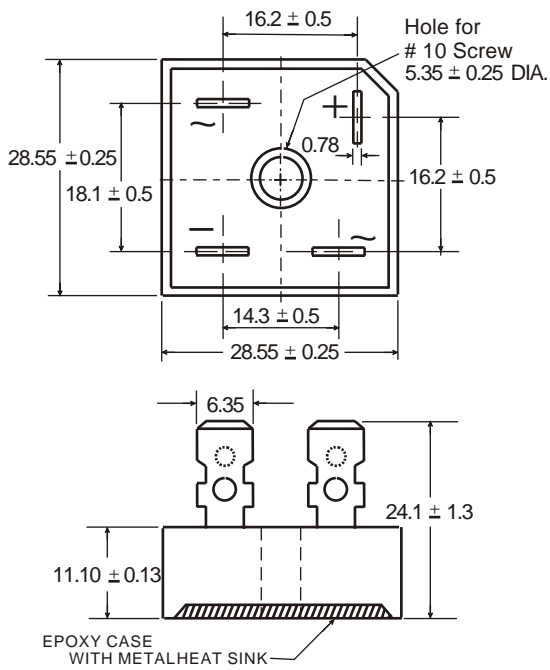
Dimensions in millimeters

KBPC-W



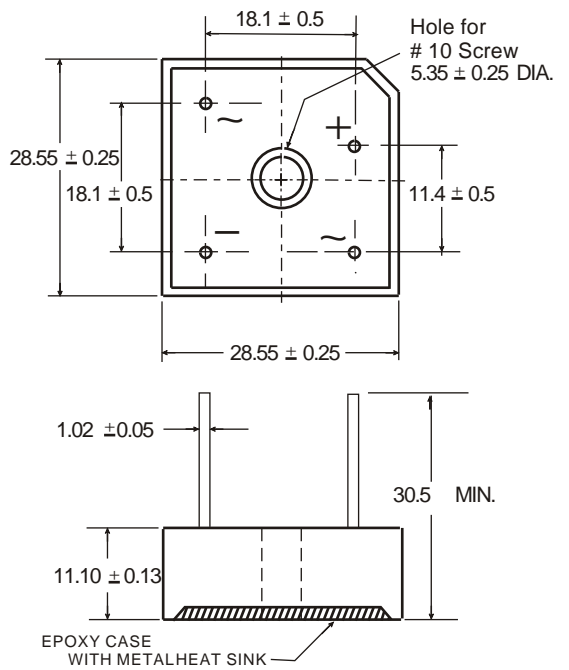
Dimensions in millimeters

MP



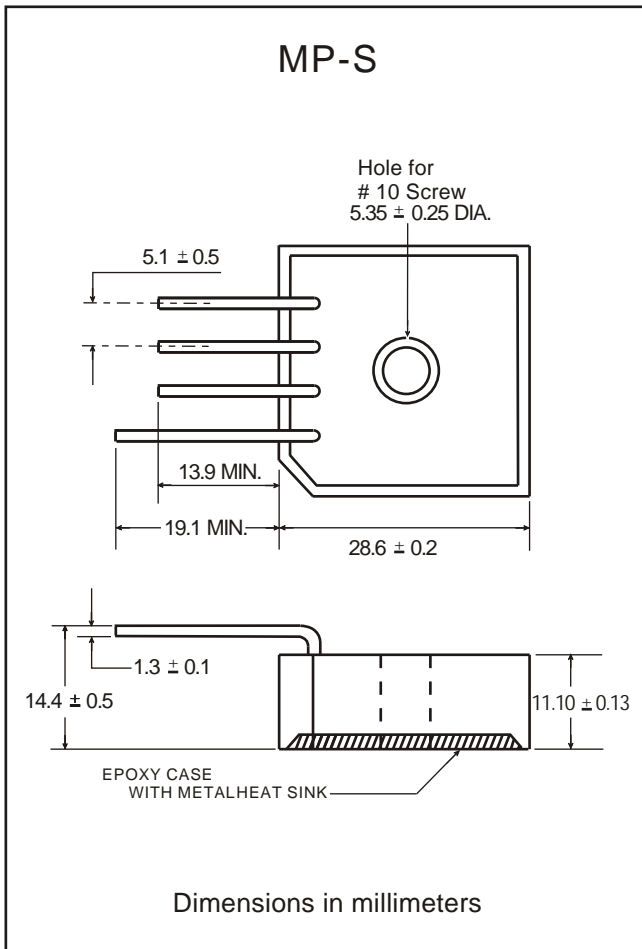
Dimensions in millimeters

MP-W



Dimensions in millimeters

Outline Drawing



Contact information

Website: <http://www.sep-semi.com>

Address: 16F-4, No.16, Jianba Road, Chungo City, Taipei, Taiwan, R.O.C.

Tel: +886 2 82263823

Fax: +886 282263359

E-mail: sepco@seed.net.tw

©SEP ELECTRONIC CORP.

All rights are reserved. Reproduction in whole or in part is prohibited without the prior written consent of the copyright owner.

The information presented in this document does not form part of any quotation or contract, is believed to be accurate and reliable and may be changed without notice. No liability will be accepted by the publisher for any consequence of its use. Publication thereof does not convey nor imply any license under patent- or other industrial or intellectual property rights.